

→ Road Stud SR-20



PRODUCT IDENTIFICATION

Product	SR-20C
Functional Characteristics	Solar road stud

FEATURES

Advantages	High performance photovoltaic module; Rising from road surface of 11,7 mm; Energy storage in super capacitors or batteries; Internal prismatic system; Unidirectional or bidirectional operation; Low power consumption; 100% Waterproof; Visibility up to 1 km.
Modes of Operation	Always On or Flashing

ELECTRICAL FEATURES

Power	Battery (NI-MH): 1,2Vdc /2100mA Capacitor: 2,3Vdc / 120F			
Average Current Consumption	Super Capacitor		Battery	
	9mA	2.8mA	6mA	3mA
	Always On	Flashing	Always On	Flashing
Autonomy in the dark (after full charge)	120 Horas (Flashing / Always On)			
Autonomy of Capacitor	Min: 12 horas (Always On)			
	Max: 48 horas (Flashing)			

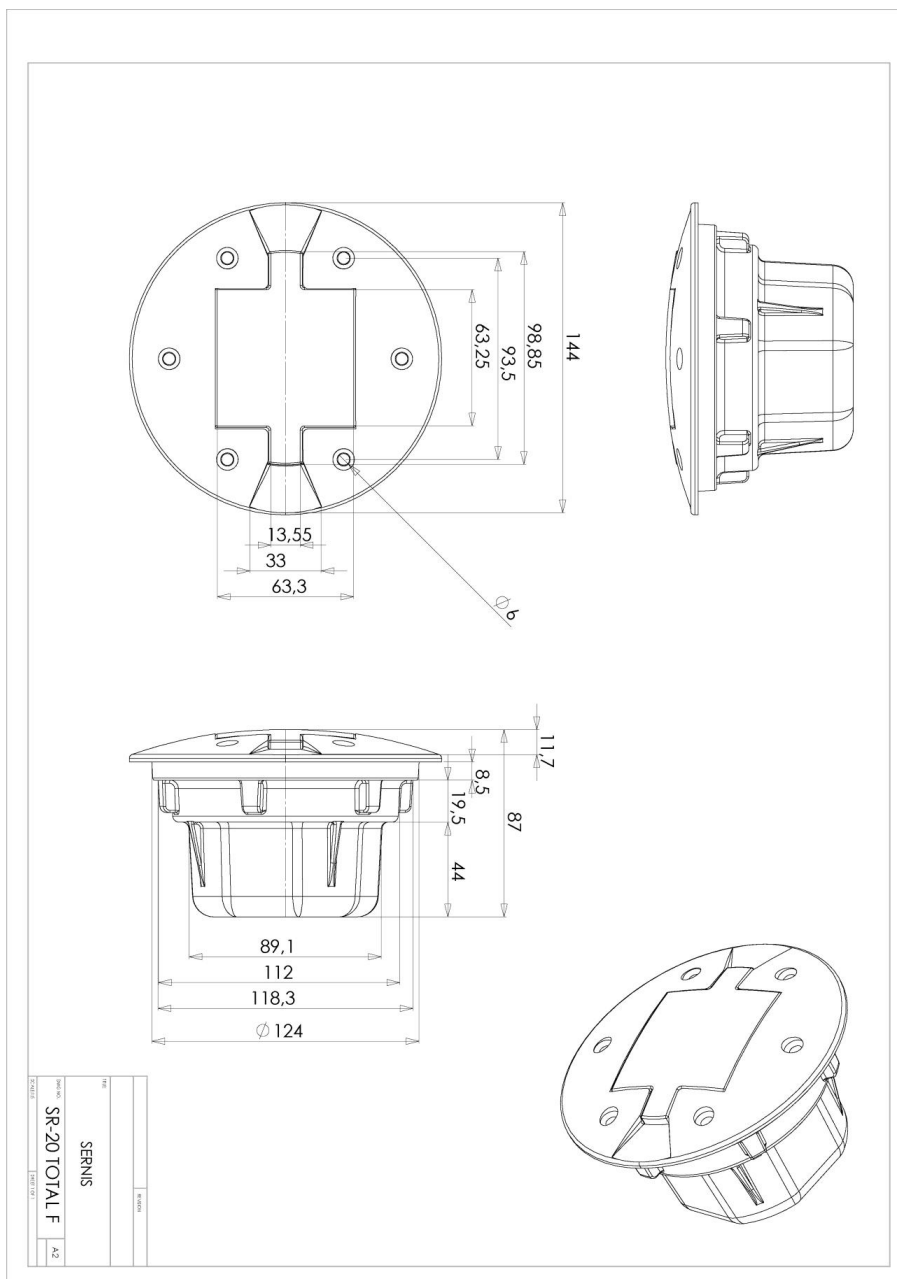
OPTICAL FEATURES

Number of LEDS	2 LEDS (Unidirectional)				
	4 LEDS (Bidirectional)				
Type LEDS	CREE 5 mm		NICHIA 5 mm		
Colour LED	Ambar	Red	White	Blue	Green
Viewing angle	30°	30°	15°	15°	15°
Brightness Intensity	5000 mcd	5100 mcd	27000 mcd	4800 mcd	9200 mcd

MECHANICAL FEATURES

Dimensions (mm)	Length:	144 mm
	Width:	144 mm
	Depth:	85 mm
	Rising from road surface:	11,7 mm (center of the parabola)
	Installation depth:	75 mm
	Dimensions (visible surface):	Diameter 144 mm

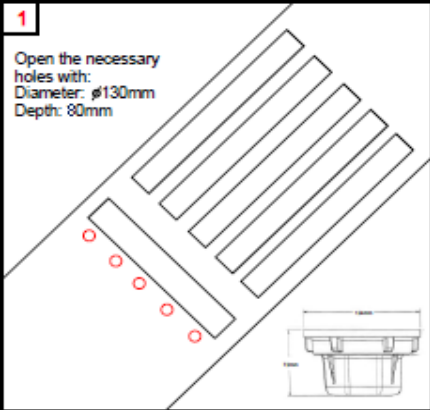
Bottom part material:	Aluminium
Top part material:	Aluminium Polycarbonate
Cover Finish	Polished
	Shot
	Non-slip
	Anodized



Procedimentos de instalação:

1

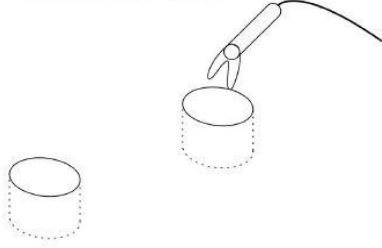
Open the necessary holes with:
Diameter: ϕ 130mm
Depth: 80mm



Abrir os orifícios necessários com 130 mm de diâmetro e 80 mm de profundidade.

2

Dry the holes with a blowtorch and clean all the structure

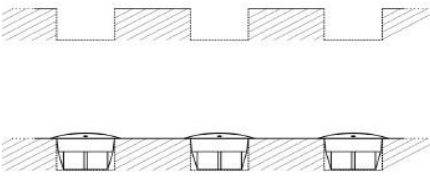


Secar os orifícios com maçarico e limpar toda a estrutura.

3

Apply proper glue in the holes to hold the SR-20

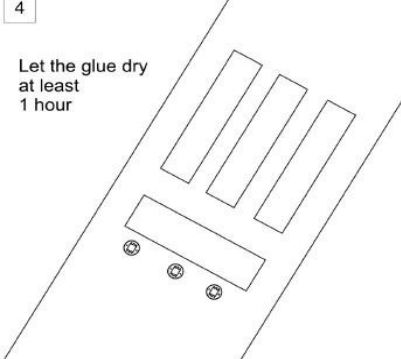
Glue ref.: Triflex Cryl R 238



Aplicar a quantidade correta de cola para fixar os marcadores no solo.

4

Let the glue dry at least 1 hour



Deixar a cola secar pelo menos durante uma hora.



Installation Complete